

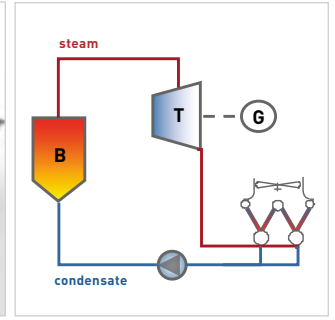
**SPX
DRY
COOLING**



PRODUCT



W-Style ACC®



ACC Plant cycle



DIRECT DRY COOLING SYSTEMS

Our W-Style ACC® is an innovative induced draft air cooled condenser (ACC), which directly condenses the steam turbine exhaust flow. Once that happens, the condensate returns to the boiler without water loss, like with the traditional ACC.

With its unique “W” heat exchanger arrangement, the amount of structural steel and overall ACC height is dramatically reduced compared to traditional forced draft arrangements. Our ACC uses finned tubes that are shorter in length. This lowers ACC back pressure and reduces the flow accelerated corrosion risk.



W-Style ACC®

FEATURES



Single-Row Condenser tubes (SRC®)

The W-Style ACC® module uses our proven Single-Row Condenser (SRC®) finned tubes. The heat exchangers are arranged in a “W”. Two large steam manifolds at the bottom distribute the steam to the heat exchangers. To promote effective non-condensable gas extraction, the heat exchanger arrangement includes primary, secondary and tertiary tubes. Mounted above the heat exchangers are the induced draft axial fans, gearboxes and motors. The “W” arrangement provides central support for the fan bridge, mitigating vibration.

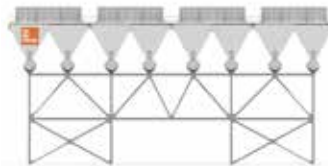
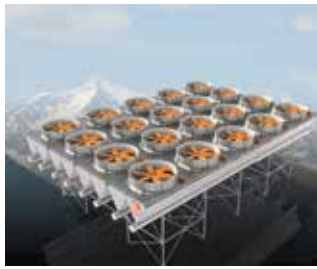
The induced draft arrangement mitigates the effect of wind on the ACC performance. The fan deck also provides easy access for fan drive maintenance.

The “W” arrangement reduces the number of foundation and provides increased flexibility in the foundation location.

W-Style ACC®



W-Style ACC[®]
MAJOR BENEFITS



A lower overall height

Improved access for drive system maintenance

A smaller footprint

Induced draft ACC and reduced wind sensitivity

Reduced steam velocity in the finned tubes, mitigating flow accelerated corrosion inside the tubes

A reduced number of foundations

A GLOBAL PARTNER WITH THE PROMISE OF EXCELLENCE

- Global Locations
- 📍 SPX Dry Cooling Headquarters Brussels
- 📍 Paharpur Headquarters Kolkata
- Manufacturing Plants
- Joint Venture



MEMBER OF



info@spxdrycooling.com
www.spxdrycooling.com



HEADQUARTERS

SPX Dry Cooling Belgium SPRL
 Avenue Marcel Thiry 81, B2
 B-1200 Brussels, Belgium
 T +32 (0) 2 761 61 11
 F +32 (0) 2 761 61 86

